

Kit "A"

Stainless steel perforated tray, Iroko-wood chopping board, stainless steel bottle holder

Accessories equipped troughs

Code: 8100 703



DETAILS

Equipped troughs accessories Multifunction kit

Type Standard

Dimensions 56 x 14 cm

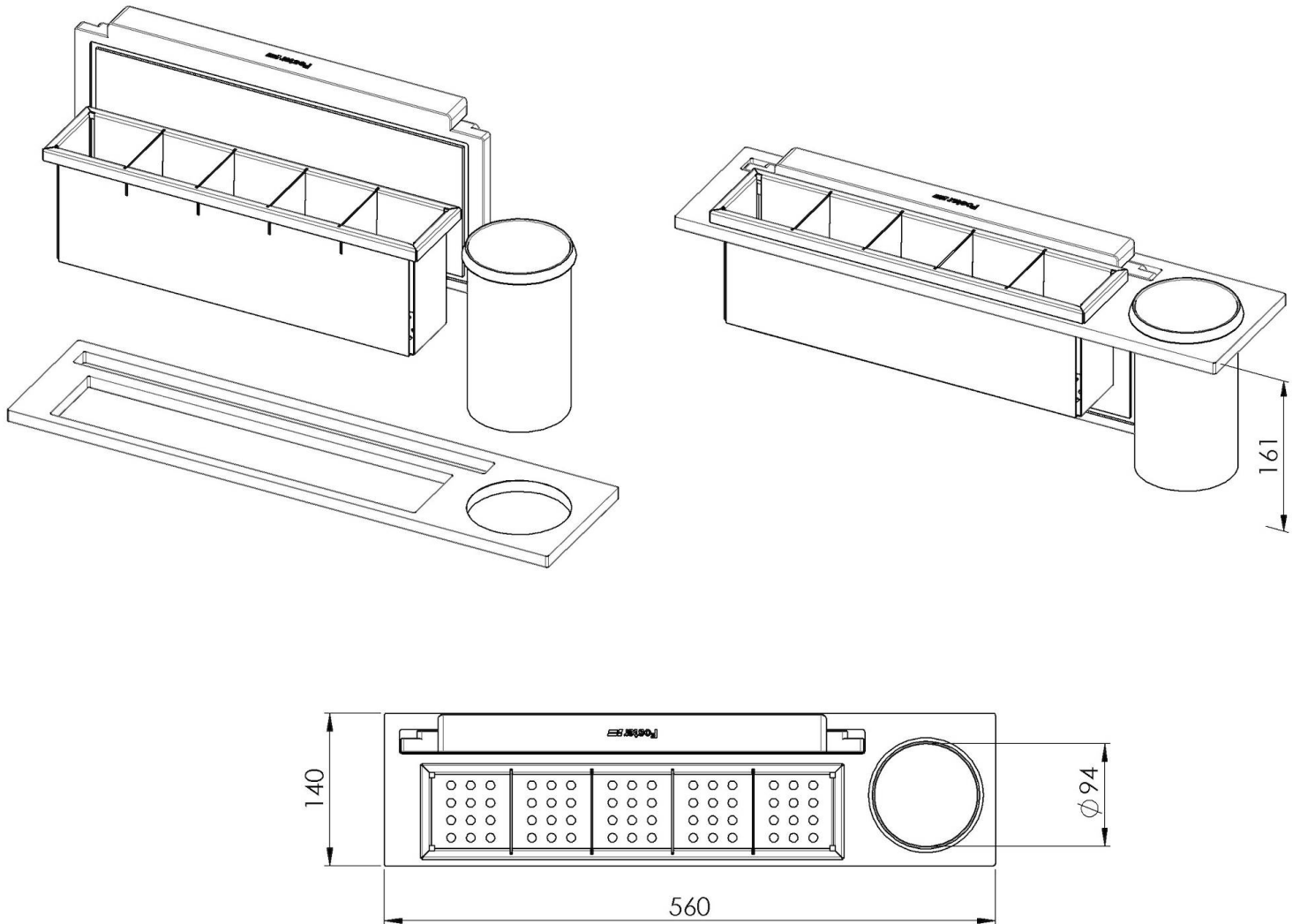
Length 4 unit - Standard

Key to understanding the accessories The lengths of the channels and accessories are indicated in “units”; for the composition, the sum of the “units” of the accessories must be the same as the length in “units” of the channel.

Notes: The chopping board can only be used in 400 mm deep bowls

TECHNICAL DATA

8100 703



- 1 x supporto black / 1 x black support
- 1x tagliere in iroko / 1 x iroko chopping board
- 1 x vaschetta 8151 004 / 1 x tray 8151 004
- 1 x portabottiglie / 1 x bottle holder

EQUIPMENT



Stainless steel perforated tray
8151 004

OPTIONAL ACCESSORIES



Knives-holder
8100 030